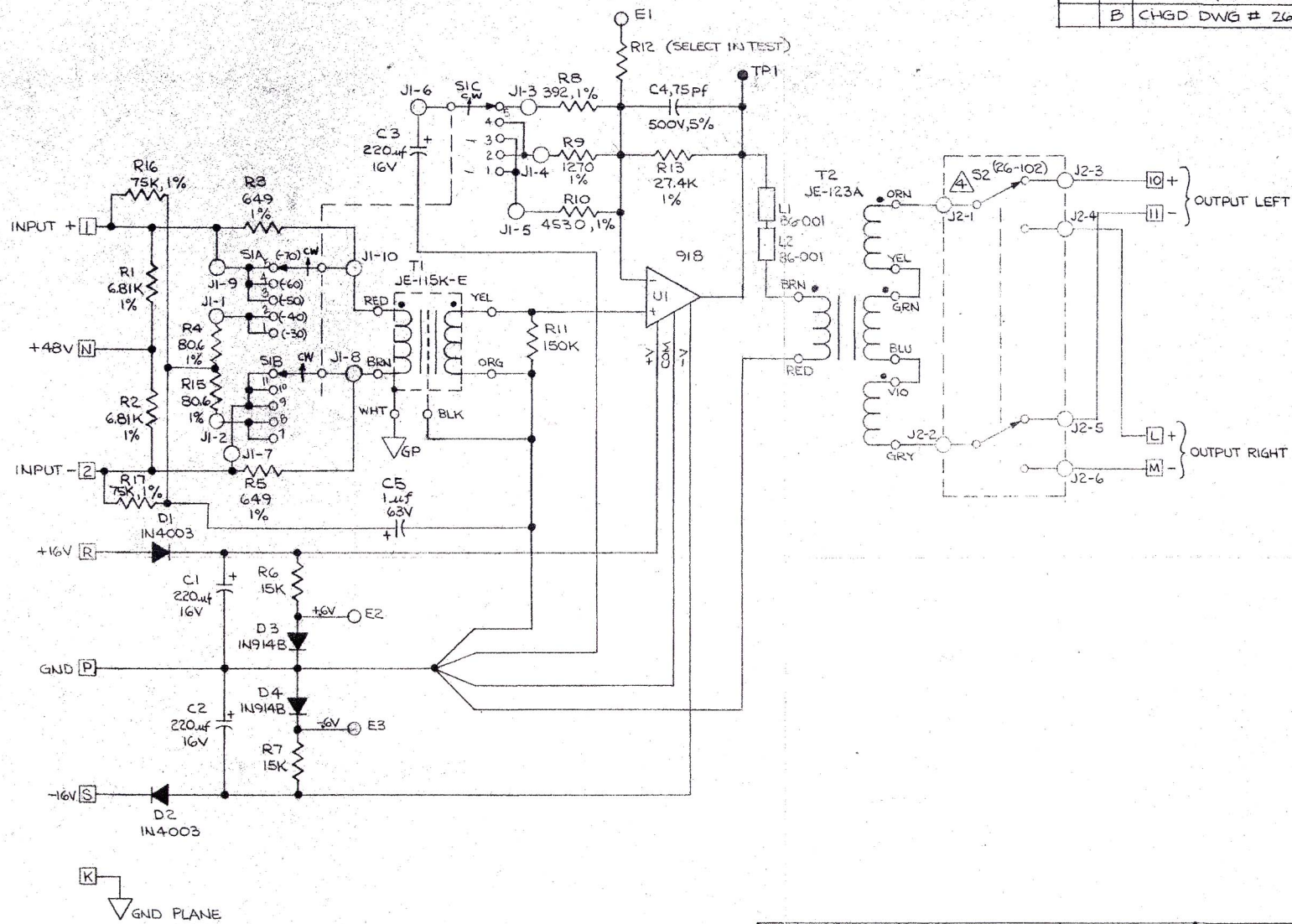


ZONE		REVISIONS		DATE	APPROVED
C,3	A	DELETE R14	(2.7K)	7-6-77	G.T.N.
	B	ADDED R15-17	F C5	8-14-77	
	B	CHGD DWG #	266-SD-002	11-21-77	



5. S1A, S1B CONTACTS ARE SHORTING, S1C CONTACTS ARE N.S.
- ⚠ SWITCH S2 OPTIONAL- NORMALLY JUMPED TO OUTPUT LEFT
3. SELECT R12 FOR OUTPUT OFFSET VOLTAGE $\leq \frac{1}{2}$ EMV (TP1)
2. JUMP E1 TO E3 TO CORRECT NEGATIVE OFFSET
1. JUMP E1 TO E2 TO CORRECT POSITIVE OFFSET

NOTES: UNLESS OTHERWISE SPECIFIED

QTY REQD	CODE IDENT	PART OR IDENTIFYING NO.	NOMENCLATURE OR DESCRIPTION
PARTS LIST			
UNLESS OTHERWISE SPECIFIED DIMENSIONS ARE IN INCHES, TOLERANCES ARE:		CONTRACT NO.	
FRACTIONS	DECIMALS	ANGLES	
±	.XX ±	±	
MATERIAL		APPROVALS	
		DATE	
		DRAWN <i>Quymann</i> 5/15/77	
		CHECKED <i>Quymann</i> 6-21-77	
FINISH		SIZE	
		CODE IDENT NO.	
		DRAWING NO.	
		REV	
NEXT ASSY		C	
USED ON		125-SD-117	
APPLICATION		B	
DO NOT SCALE DRAWING		SHEET 1 OF 1	